

EXHAUST FAN INFORMATION - Job#1888495

FAN UNIT NO.	TAG	FAN UNIT MODEL #	CFM	ESP.	RPM	H.P.	Ø	VOLT	FLA	WEIGHT (LBS.)	SONES
1		DUS04FA	900	1.000	1327	0.500	1	115	8.1	71	12.4

MUA FAN INFORMATION - Job#1888495

FAN UNIT NO.	TAG	FAN UNIT MODEL #	BLOWER HOUSING	CFM	ESP.	RPM	H.P.	Ø	VOLT	FLA	WEIGHT (LBS.)	SONES	
2		A1-G10	G10D	A1	720	0.500	802	0.500	1	115	6.8	247	15.6

FAN OPTIONS

FAN UNIT NO.	TAG	OPTION (Qty. - Descr.)
1		1 - Grease Box
2		1 - Motorized Backdraft Damper for Size 1 Housing

FAN ACCESSORIES

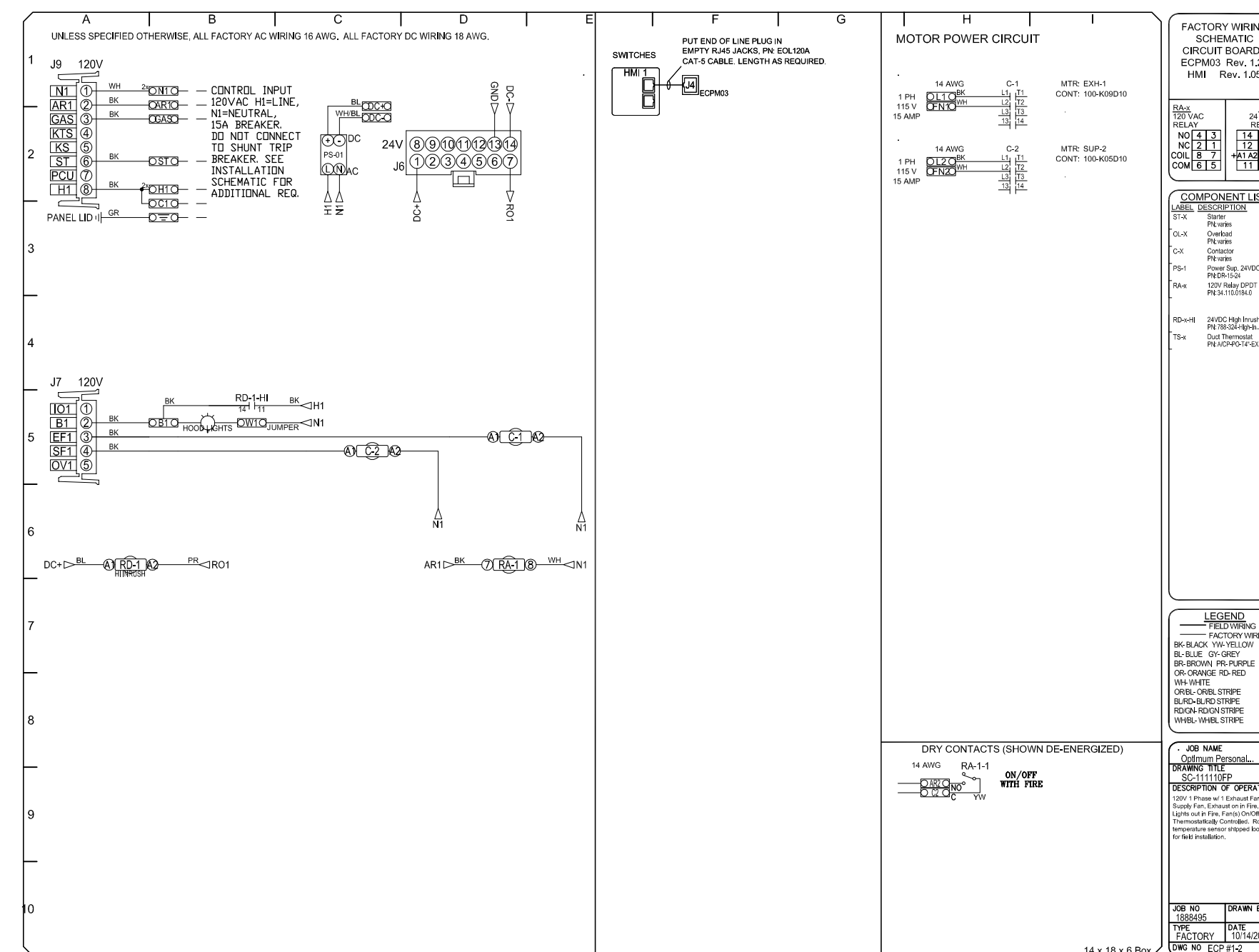
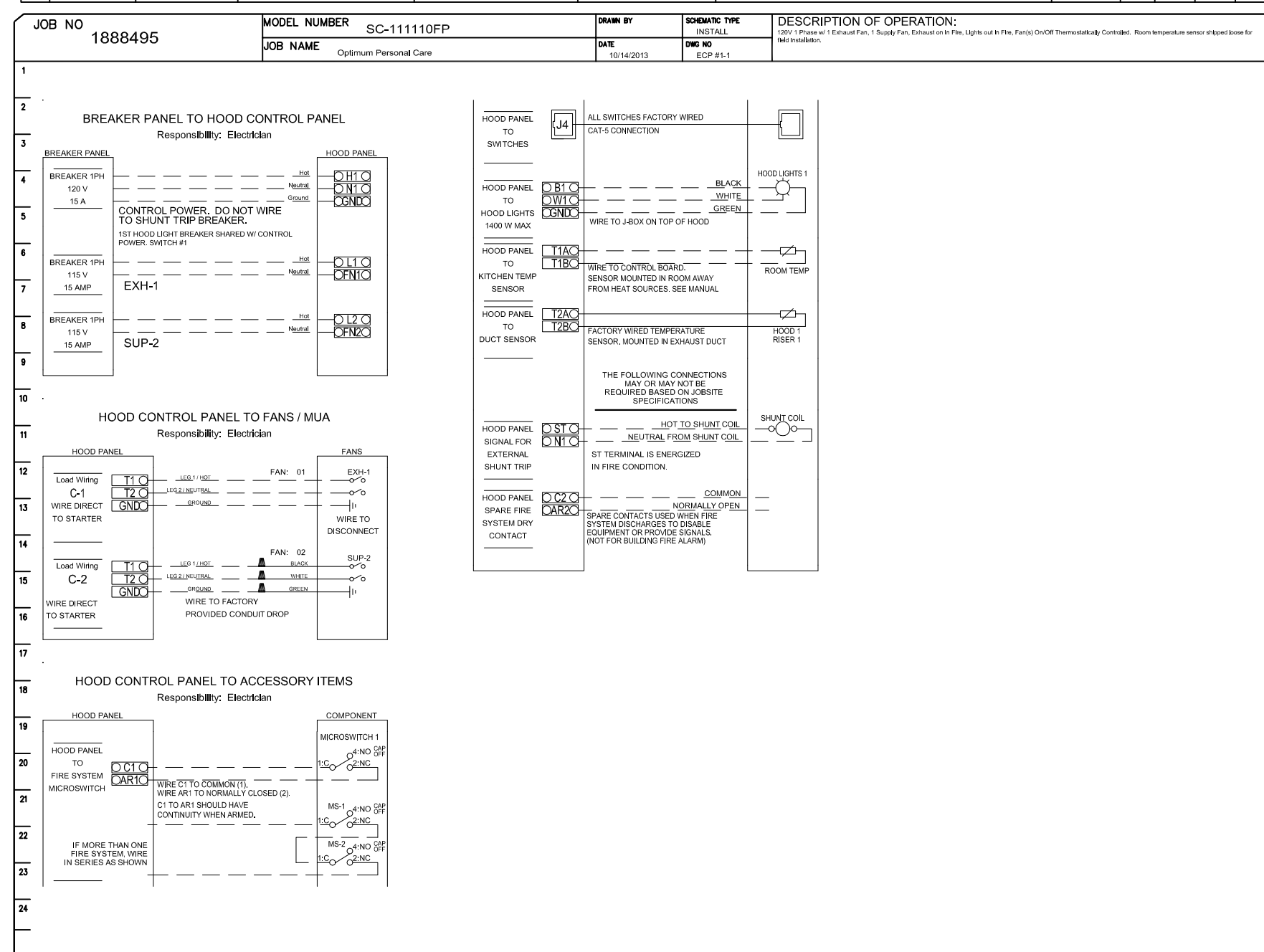
FAN UNIT NO.	TAG	EXHAUST	SUPPLY
		GREASE TRAY/CUP	MOTORIZED DAMPER
		WALL MOUNT	WALL MOUNT
		SIDE DISCHARGE	
1		YES	YES
2			

CURB ASSEMBLIES

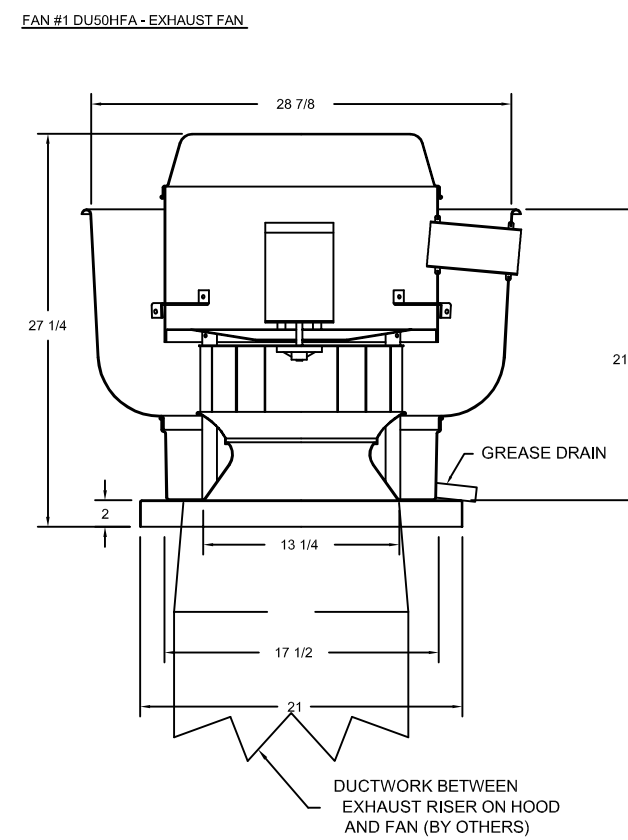
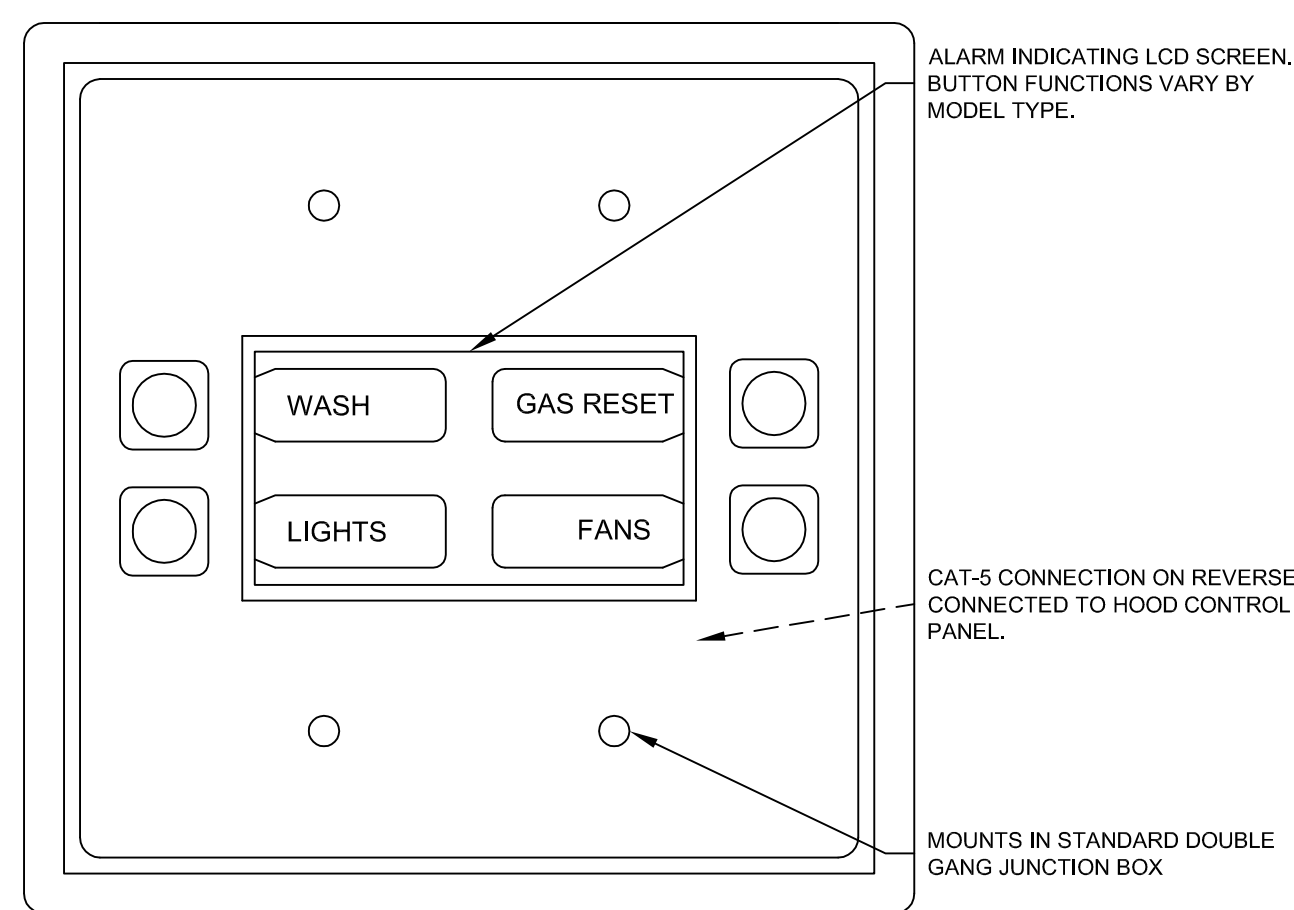
NO.	ON FAN	WEIGHT	ITEM	SIZE
1	# 1	31 LBS	Curb	19.500"V x 19.500"L x 20.000"H Vented Hinged
2	# 2	29 LBS	Curb	21.000"V x 21.000"L x 15.000"H

ELECTRICAL PACKAGES - Job#1888495

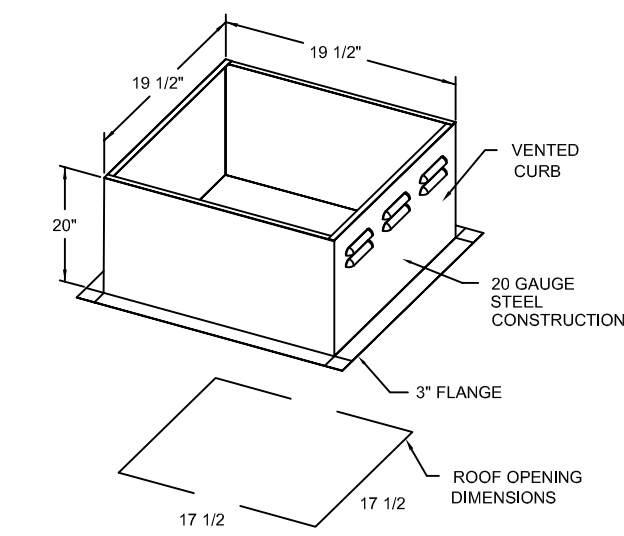
NO.	TAG	PACKAGE #	LOCATION	SWITCHES	OPTION	FANS CONTROLLED
				LOCATION	QUANTITY	
1		SC-11110FP	Utility Cabinet Right	Hood # 1	1 Light	Smart Controls Thermostatic Control



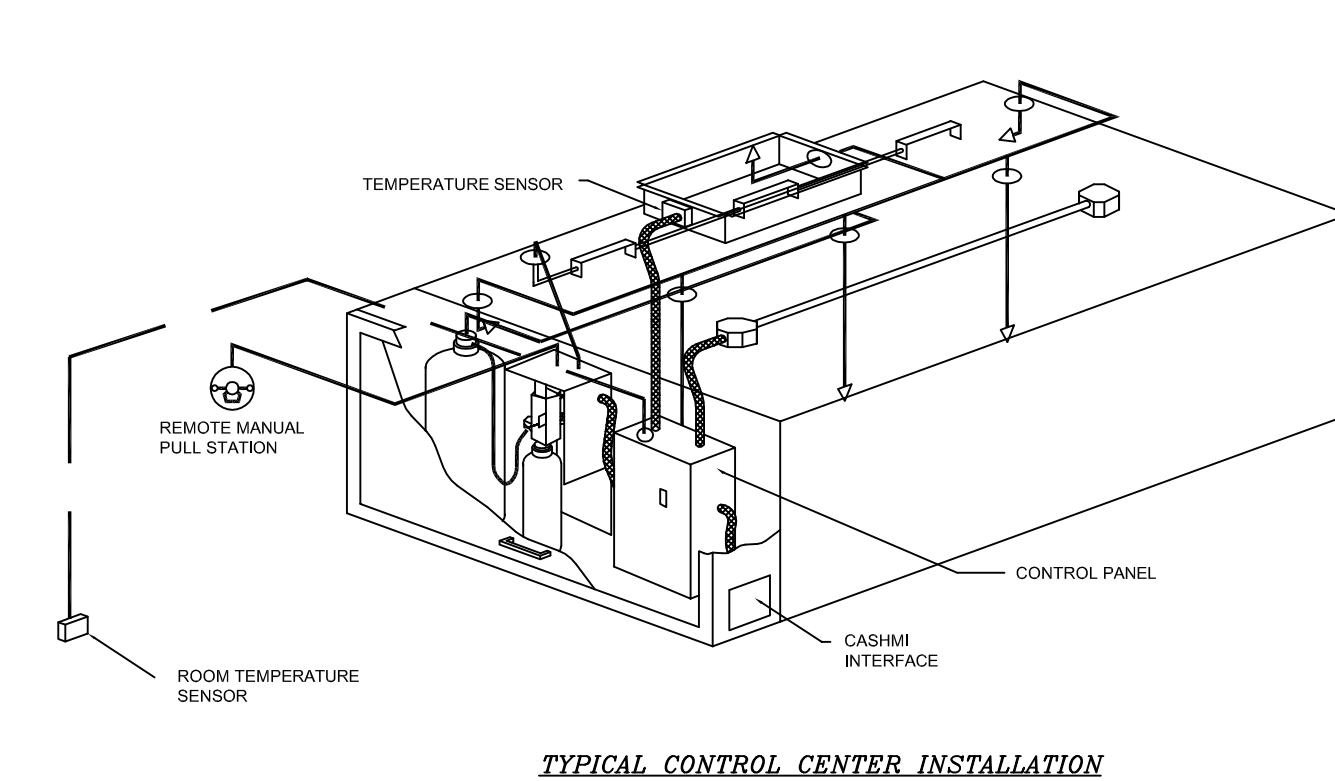
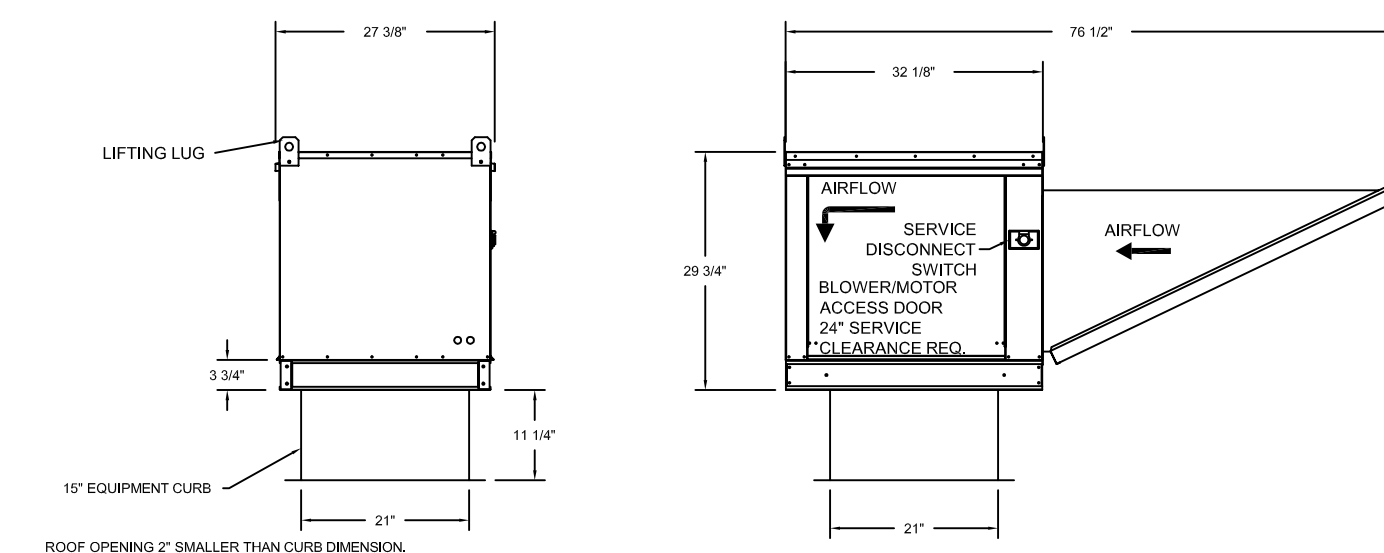
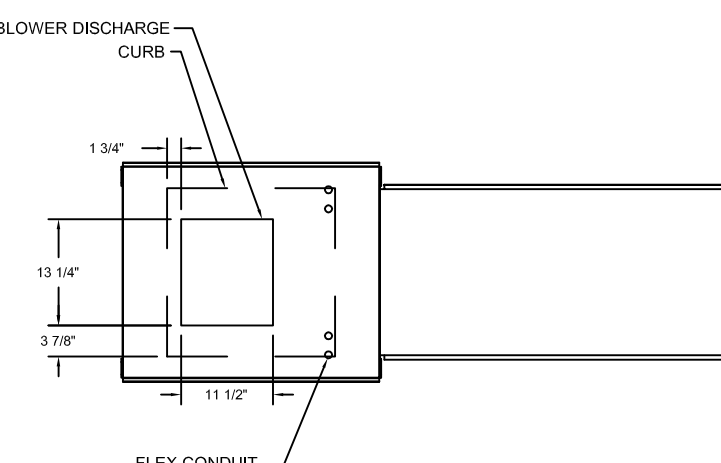
ELECTRICAL PANEL CONTROL INTERFACE



- FEATURES:**
- ROOF MOUNTED FANS
 - RESTAURANT MODEL
 - UL756 AND UL512
 - VARIABLE SPEED CONTROL
 - INTERNAL WIRING
 - WEATHERPROOF DISCONNECT
 - THERMAL OVERLOAD PROTECTION (SINGLE PHASE)
 - OVERHEAT OPERATION (ROOF CURB)
 - GREASE CLASSIFICATION TESTING
- NORMAL TEMPERATURE TEST:**
- EXHAUST FAN MUST OPERATE CONTINUOUSLY WHILE EXHAUSTING AIR AT 90°F (32°C) UNTIL ALL FAN PARTS HAVE REACHED THERMAL EQUILIBRIUM AND WITHOUT ANY DETERIORATING EFFECTS TO THE FAN WHICH WOULD CAUSE UNSAFE OPERATION.
- ABNORMAL FLAME-UP TEST:**
- EXHAUST FAN MUST OPERATE CONTINUOUSLY WHILE EXHAUSTING BURNING GREASE VAPORS AT 90°F (32°C) FOR A PERIOD OF 15 MINUTES WITHOUT THE FAN BECOMING DAMAGED TO ANY EXTENT THAT COULD CAUSE AN UNSAFE CONDITION.
- OPTIONS:**
- GREASE BOX



- FAN #2 (A1-G10) - SUPPLY FAN**
- DIRECT DRIVE DIRECT DRIVE UNTEMPERED SUPPLY UNIT WITH 1/2" BLOWER IN SIZE #1 HOUSING WITH SPEED CONTROL, DISCONNECT SWITCH.
 - INTAKE HOOD WITH 1/2" BLOWER.
 - DOWN DISCHARGE - AIR FLOW RIGHT - LEFT.
 - MOTORIZED BACKDRAFT DAMPER 10" x 14" STANDARD GALVANIZED CONSTRUCTION, 1 1/4" REAR FLANGE, WITH H-200088 MOTOR, WALL SUPPLY MOUNT. FOR SIZE 1 UNTEMPERED FAN HOUSING (S191).



REVISIONS

NO.	DESCRIPTION	DATE
1	FOR HEALTH DEPT.	10-14-13



Optimum Personal Care
MISSOURI CITY, TX

DATE: 10/14/2013
DWG.#: 1888495
DRAWN BY: RDC-46
SCALE: 3/4" = 1'-0"
MASTER DRAWING

SHEET NO. 2

A New Facility For:

OPTIMUM PERSONAL CARE

Hangman CORPORATION
PROFESSIONAL KITCHEN OUTFITTERS
210 Brand Lane • Stafford, TX 77477
281-499-0999 • fax 281-499-0102

DESIGNED BY:	WCM
DRAWN BY:	WCM
CHECKED BY:	HMB
SCALE:	NTS
SHEET TITLE HOOD FANS & CONTROLS	

SHEET NO.
FS-3