

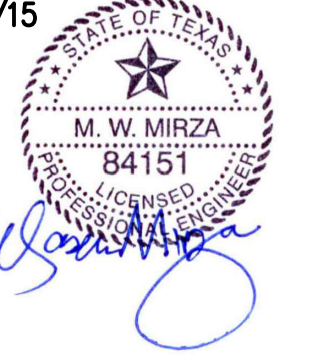
**PARTIAL
FOUNDATION
PLANS**

OPTIMUM PERSONAL CARE PH.2
1110 LAKEVIEW DRIVE
SUGAR LAND, TX. 77478

ISSUE HISTORY

DATE	ISSUED FOR
	CLIENT REVIEW
	PERMIT
	CONSTRUCTION

09/10/15



PE BUILDINGS
BRIDGES
INSPECTIONS
MARINE STRUCTURES
CIVIL ENGINEERING &
STRUCTURAL ENGINEERING

**PARAMOUNT
ENGINEERING
LLC**

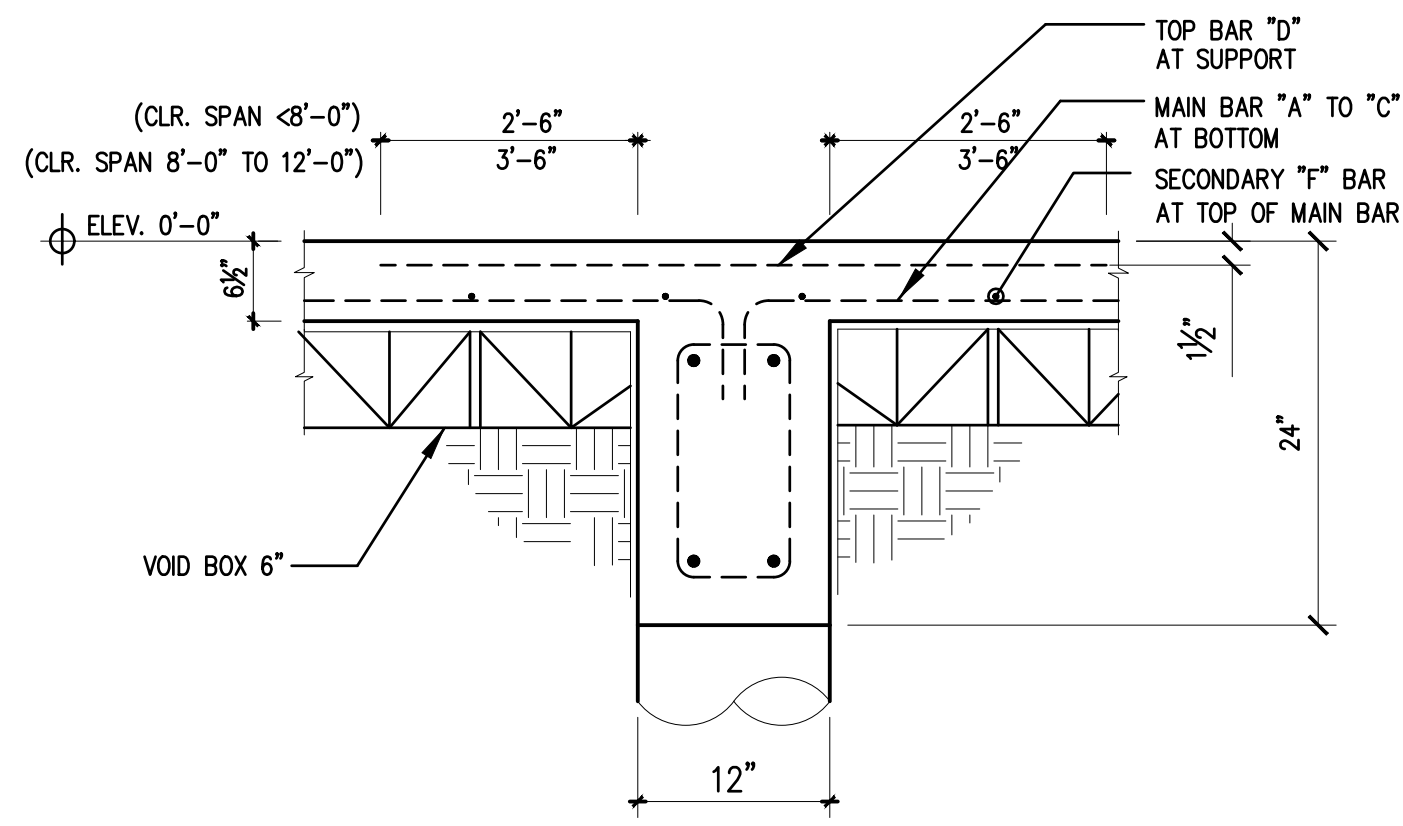
10145 LONG POINT DR.
HOUSTON, TX 77043
TEL : (713) 636-9977
FAX : (713) 888-9872
CEL : (713) 204-1742

TBPE REGISTRATION # F-3394

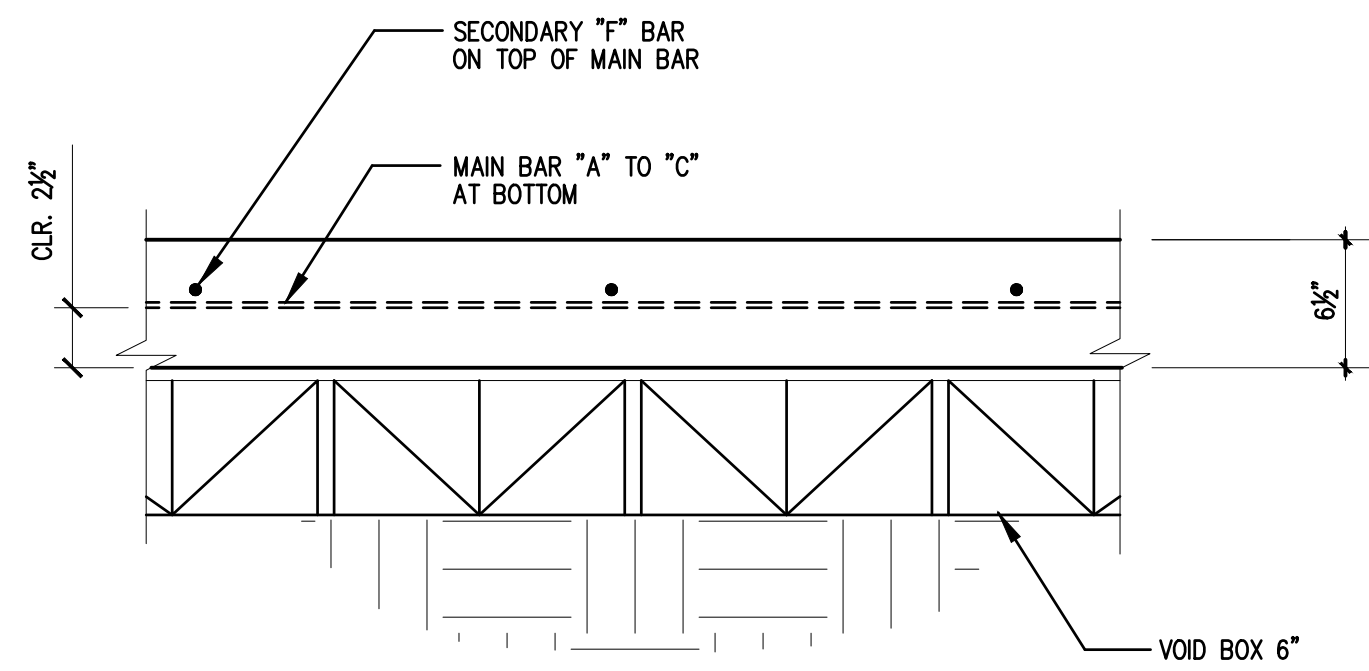
DRAWN BY: Z.A. CHECKED BY: M.M.

PROJ. NO.: PE12-225

SHEET: **S1C**



DETAIL-A
SLAB REINFORCEMENT AT
INTERIOR SUPPORT BEAM
NOT TO SCALE



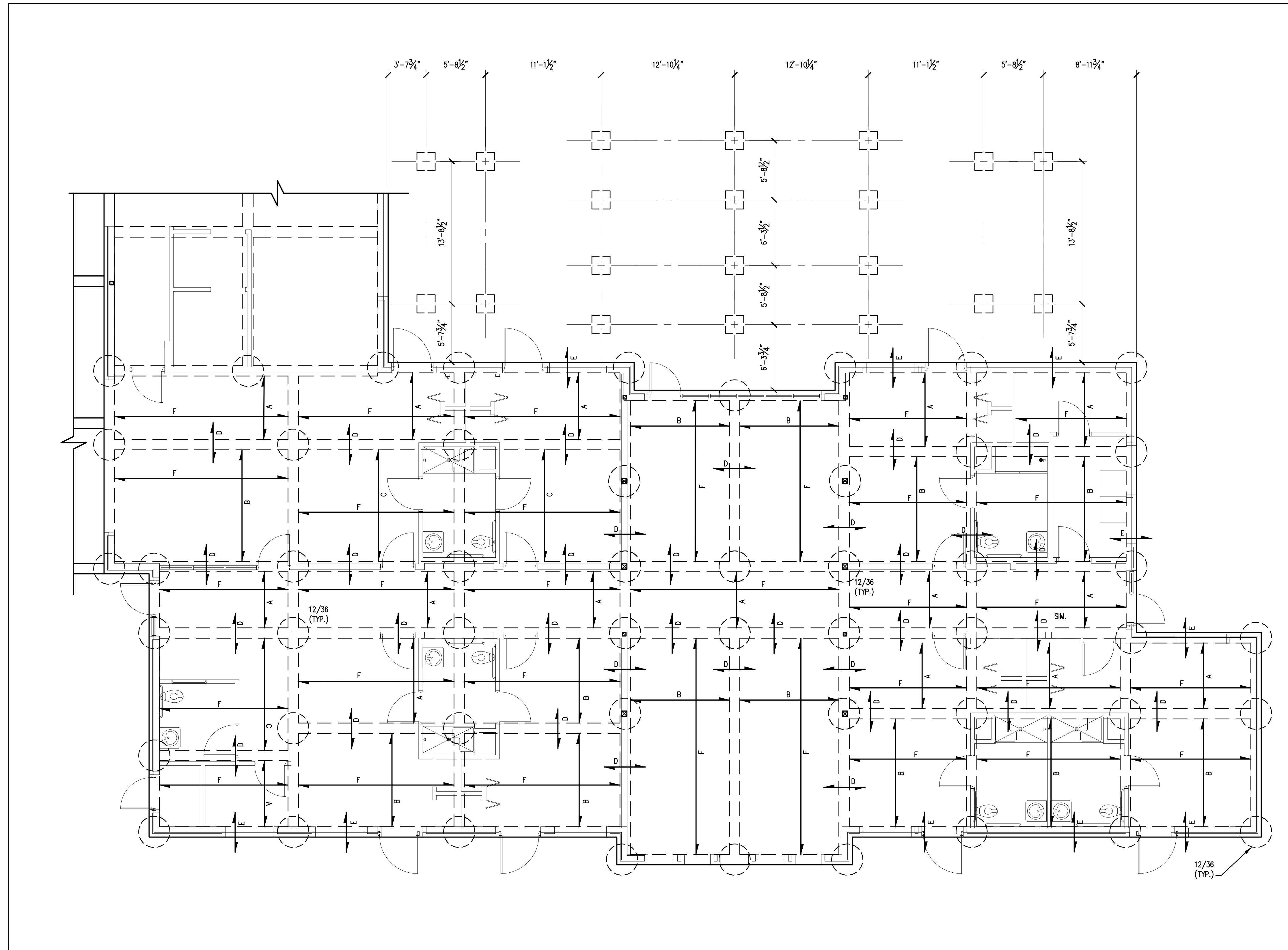
**SECTION: TYPICAL SLAB
REINFORCEMENT ARRANGEMENT**
NOT TO SCALE

**SCHEDULE OF REINFORCEMENT
OF STRUCTURAL SLAB**

BAR I.D.	LOCATION	SIZE & SPACING
A	MAIN BAR AT BOTTOM	#5 @ 12"
B	MAIN BAR AT BOTTOM	#5 @ 9"
C	MAIN BAR AT BOTTOM	#5 @ 8"
D	TOP BAR AT SUPPORT. SEE DETAIL A ON THIS SHEET	#5 @ 12"
E	3'-6" LONG BAR TOP AT SUPPORT	#5 @ 12"
F	SECONDARY BAR AT BOTTOM	#3 @ 15"

LEGEND:

→ DIRECTION OF REINFORCEMENT EXTEND
SUPPORT TO SUPPORT



DETAIL-1: TYPICAL SLAB REINFORCEMENT
SCALE: 3/16" = 1'-0"